

1

2

3

4

A

A

B

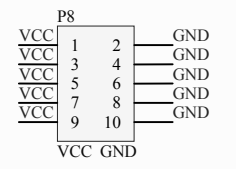
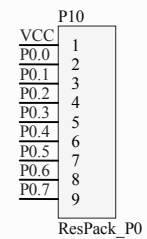
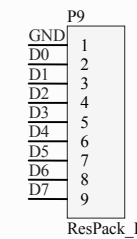
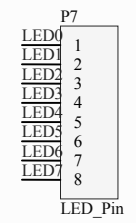
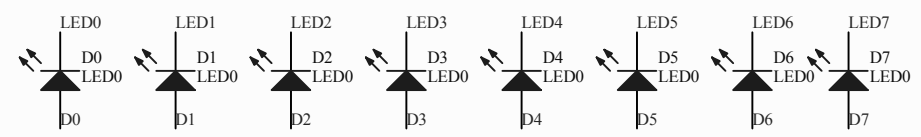
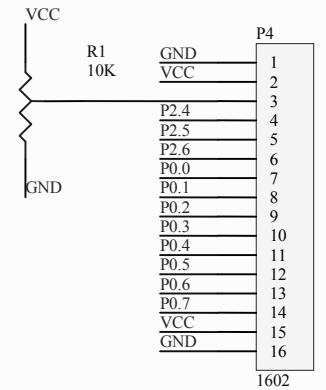
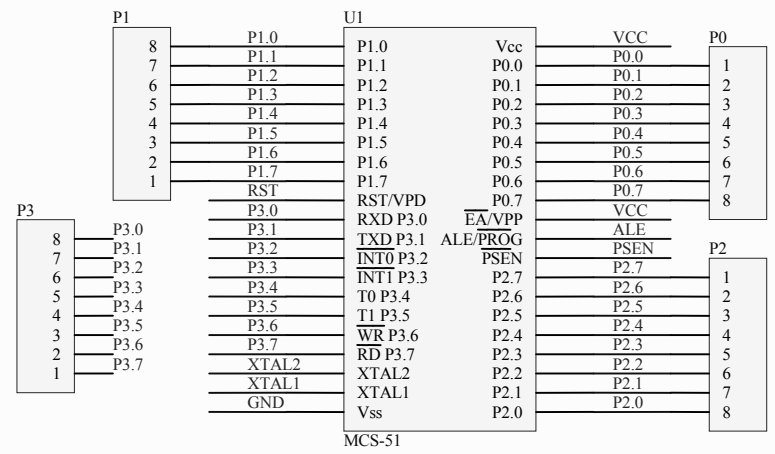
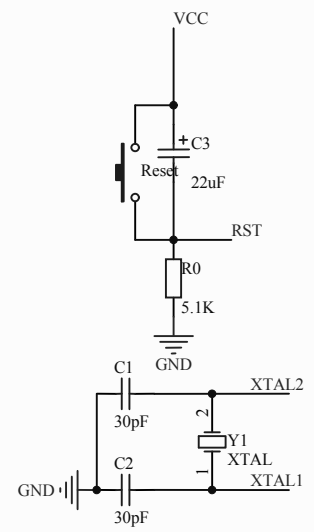
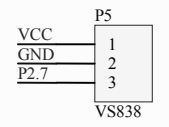
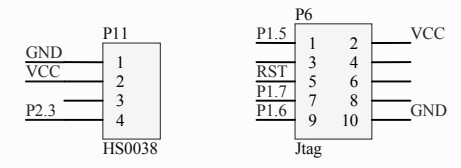
B

C

C

D

D



Title	
Size	Number
A4	
Date:	2012/4/25
File:	E:\Done\...\51Base.SchDoc

1

2

3